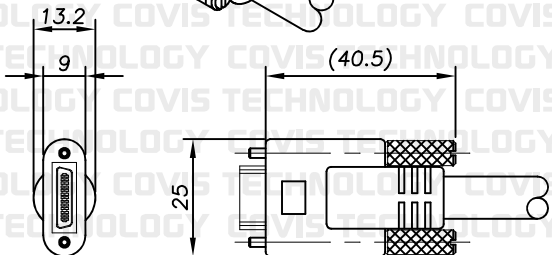
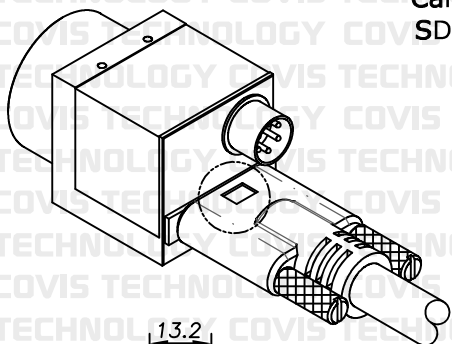
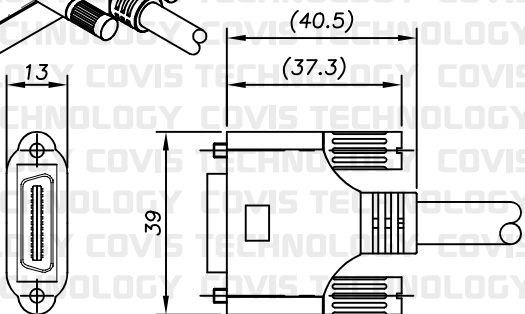
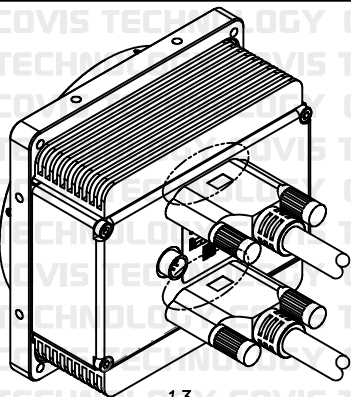


**Camera Connector  
SDR Straight type**



**Camera Connector  
MDR Straight type**



CL(P) □ - □ S - □ □ □ R

Interface  
CL : CL  
CLP : PoCL

Cable Type  
H : Robot

Left(Camera)  
Connector Type  
S : SDR Straight  
M : MDR Straight

Cable Type  
R : Robot

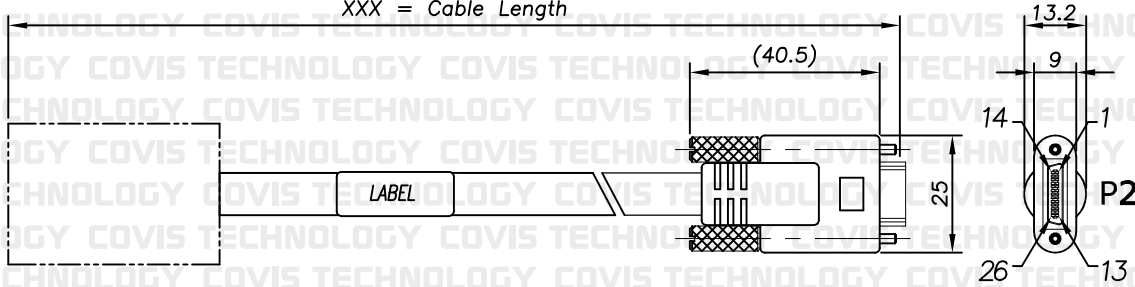
Cable Length  
ex) 050 : 5M

Right(PC)  
Connector SDR  
Straight Type

P1

P1

XXX = Cable Length



UNIT	mm	DWG.	CYS	ITEM	CAMERA LINK CABLE
DATE	2024.05.16	APPROVAL		PART NO.	CL(P)*-*S-***R