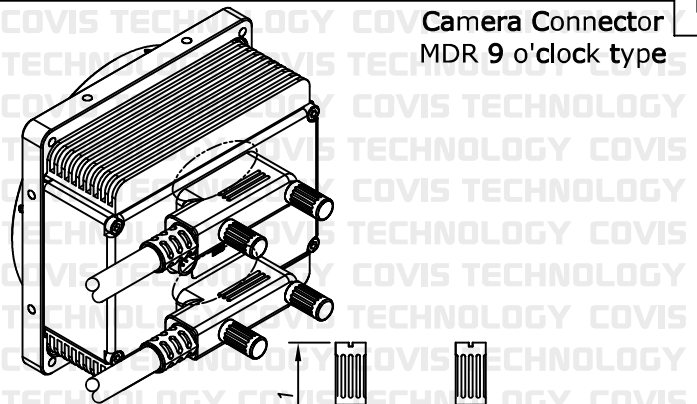
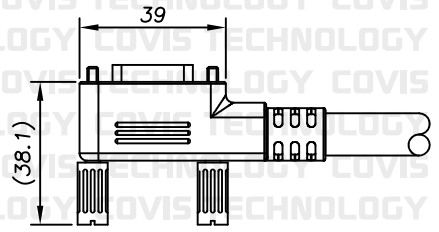
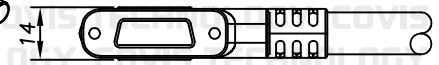
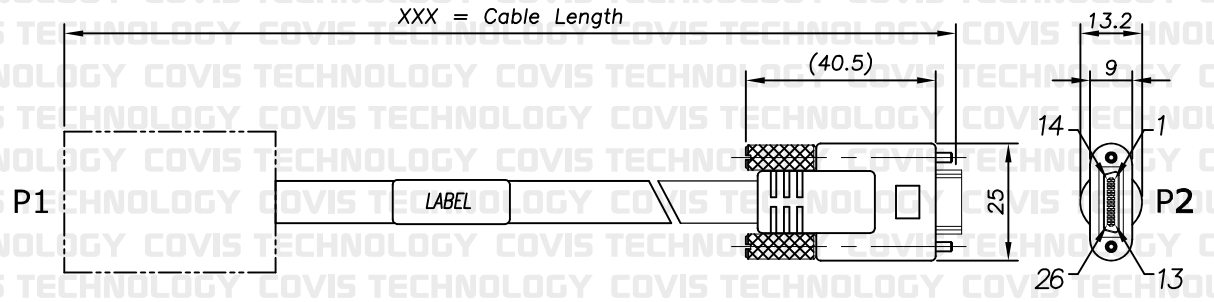
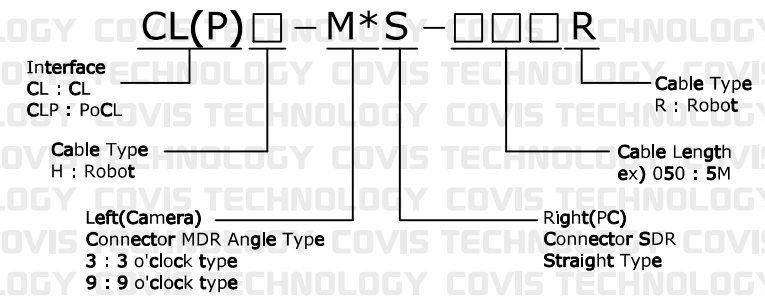
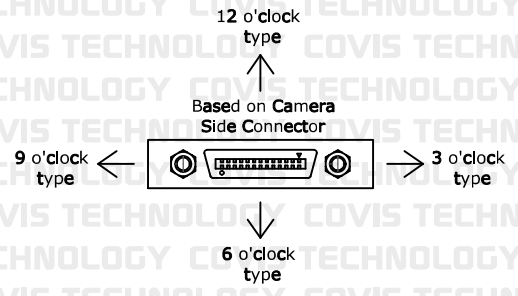
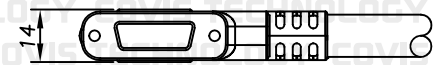
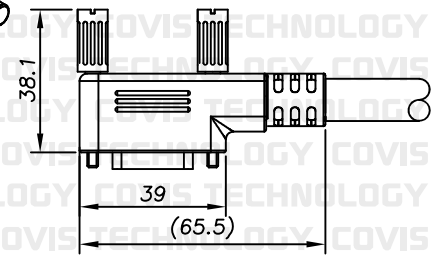


Camera Connector
MDR 3 o'clock type



Camera Connector
MDR 9 o'clock type



UNIT	mm	DWG.	CYS	ITEM	CAMERA LINK CABLE
DATE	2024.05.16	APPROVAL		PART NO.	CL(P)*-M*S-***R