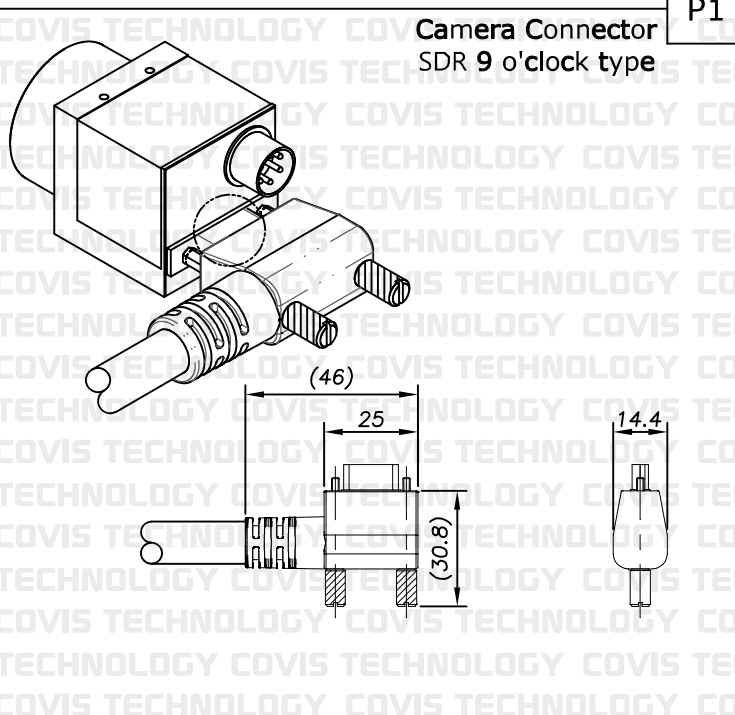
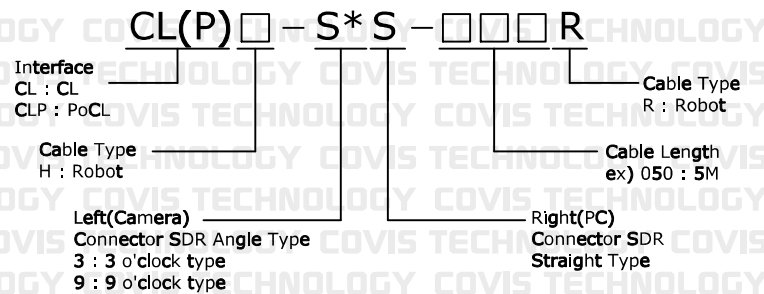
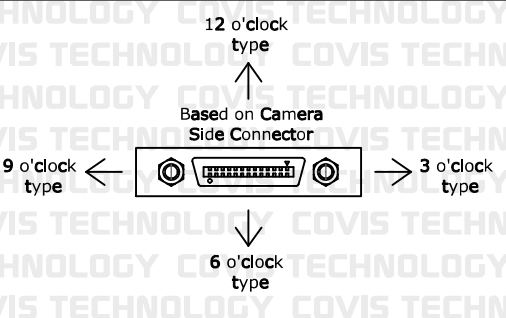
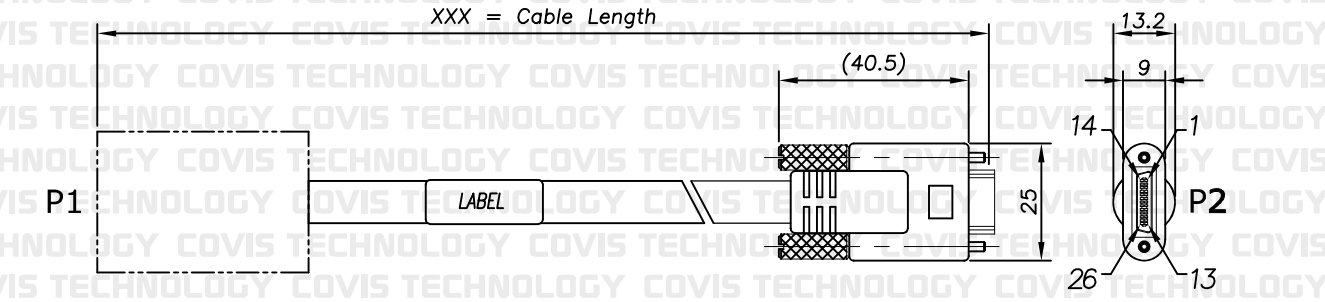


**Camera Connector
SDR 3 o'clock type**



**Camera Connector
SDR 9 o'clock type**



UNIT	mm	DWG.	CYS	ITEM	CAMERA LINK CABLE
DATE	2024.05.16	APPROVAL		PART NO.	CL(P)*-S*S-***R