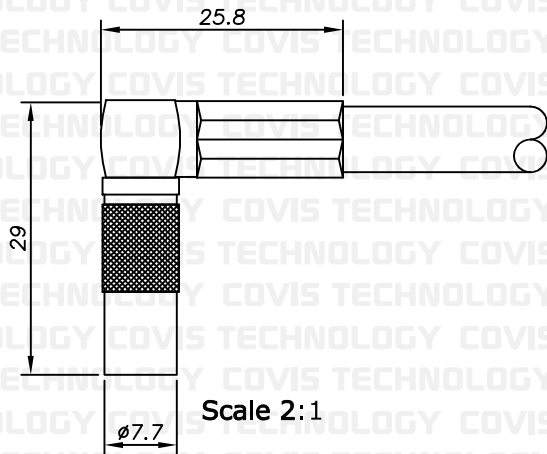


**DIN Connector
Straight type**



Scale 2:1

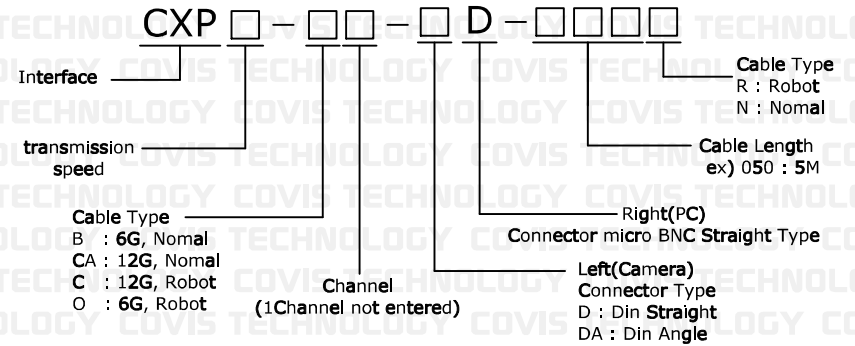
**DIN Connector
Angle type**



Scale 2:1

P1

P1



XXX = Cable Length

LABEL

P2

UNIT	mm	DWG.	CYS	ITEM	CXP CABLE
DATE	2024.05.16	APPROVAL		PART NO.	CXP*-*-D-***R(N)