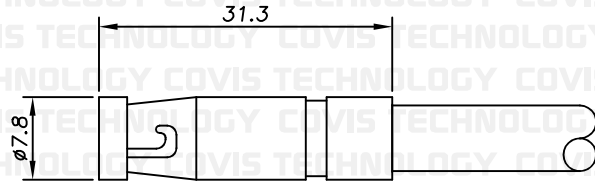
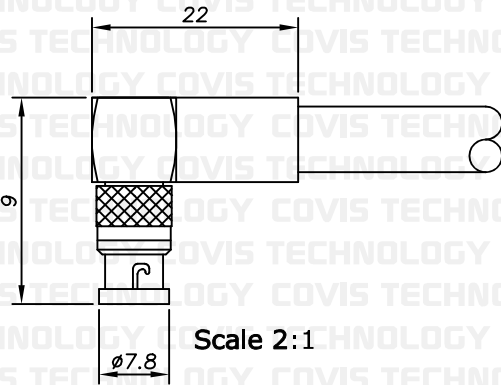


Micro BNC Connector
Straight type

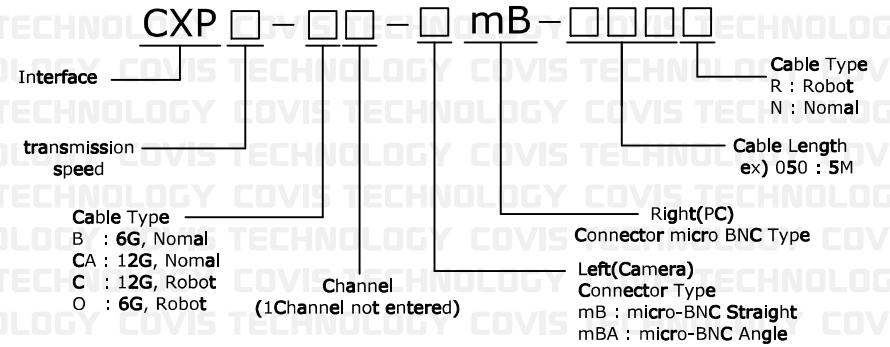


Scale 2:1

Micro BNC Connector
Angle type



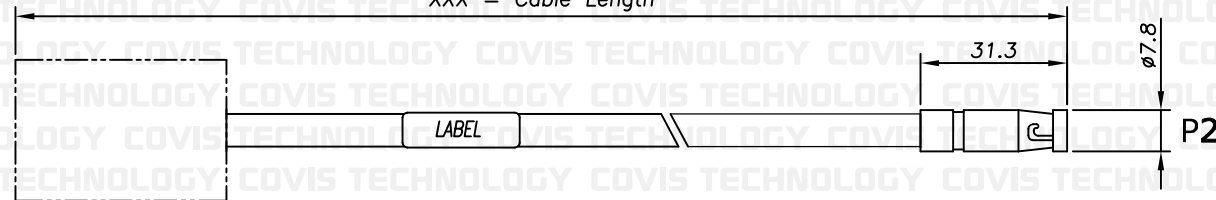
Scale 2:1



P1

P1

XXX = Cable Length



UNIT	mm	DWG.	CYS	ITEM	CXP CABLE
DATE	2024.05.16	APPROVAL		PART NO.	CXP*-**-*mB-***R(N)