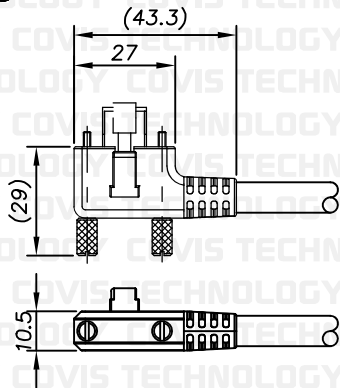
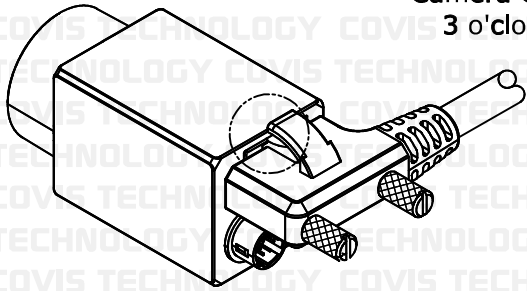
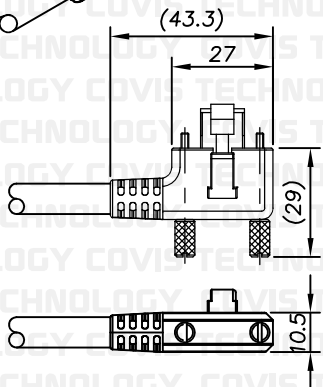
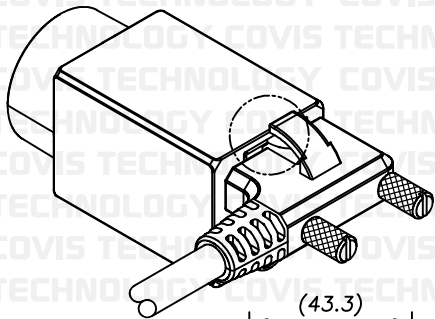


**Camera Connector**  
3 o'clock type



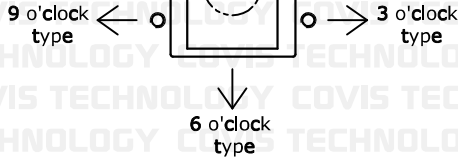
P1

**Camera Connector**  
9 o'clock type



P1

12 o'clock type  
↑  
**Key**



**GIGE** - [ ] [ ] [ ] - [ ] **L** - [ ] [ ] [ ] [ ]

Interface

**Cable Type**  
T5E : CAT.5E Nomal  
HY7 : CAT.7 Nomal  
L5E : CAT.5E Robot  
G5E : CAT.5E Robot  
O5E : CAT.5E Robot  
G7 : CAT.7 Robot

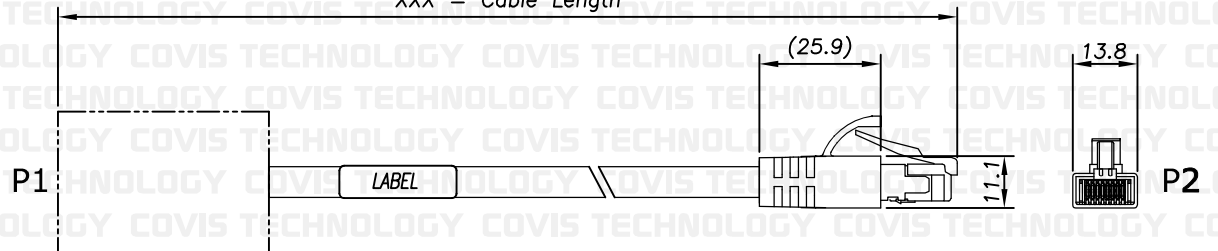
**Cable Type**  
R : Robot  
N : Nomal

**Cable Length**  
ex) 050 : 5M

**Left(Camera)**  
**Connector Angle Type**  
3 : 3 o'clock type  
9 : 9 o'clock type

**Right(PC)**  
**Connector Latch**  
**Straight Type**

XXX = Cable Length



UNIT	mm	DWG.	CYS	ITEM	GIGE CABLE
DATE	2024.05.16	APPROVAL		PART NO.	<b>GIGE-***-L-***R(N)</b>