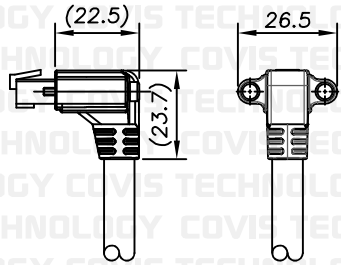
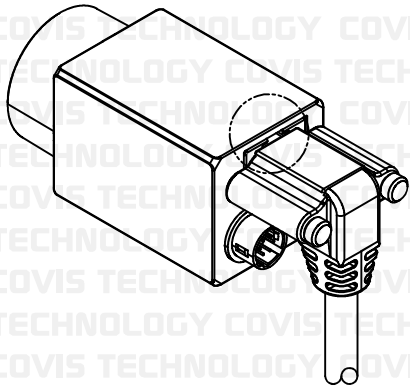
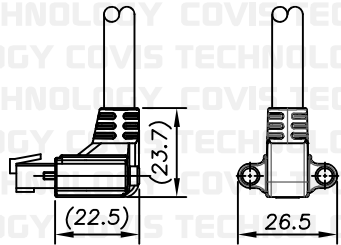
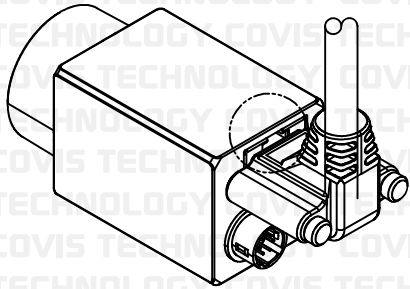


**Camera Connector
6 o'clock type**



P1

**Camera Connector
12 o'clock type**



P1

P2

12 o'clock type

Key

9 o'clock type

3 o'clock type

6 o'clock type

GIGE - [] [] [] - [] **L** - [] [] [] []

Interface

Cable Type
 T5E : CAT.5E Nomal
 HY7 : CAT.7 Nomal
 L5E : CAT.5E Robot
 G5E : CAT.5E Robot
 O5E : CAT.5E Robot
 G7 : CAT.7 Robot

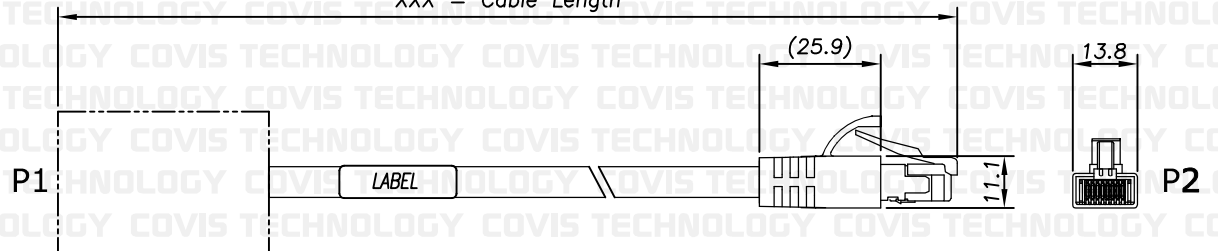
Cable Type
 R : Robot
 N : Nomal

Cable Length
 ex) 050 : 5M

**Left(Camera)
Connector Angle Type**
 6 : 6 o'clock type
 C : 12 o'clock type

**Right(PC)
Connector Latch
Straight Type**

XXX = Cable Length



UNIT	mm	DWG.	CYS	ITEM	GIGE CABLE
DATE	2024.05.16	APPROVAL		PART NO.	GIGE-***-*L-***R(N)