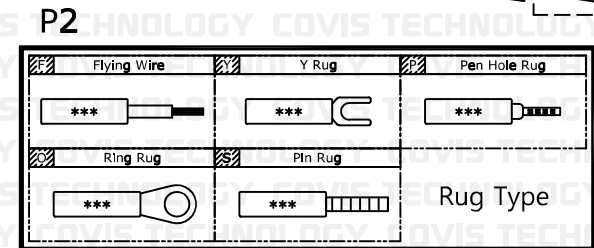
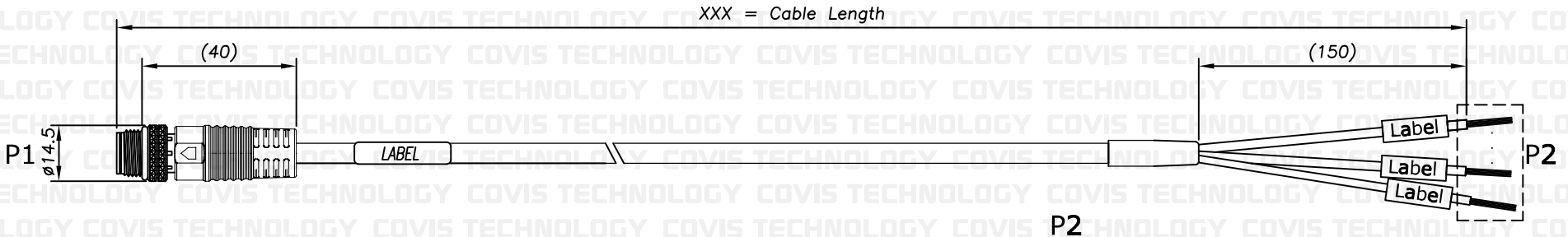
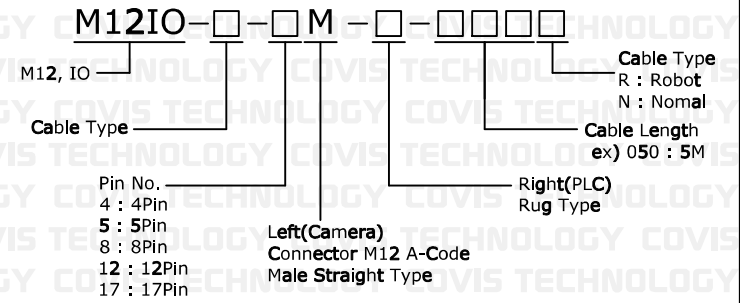
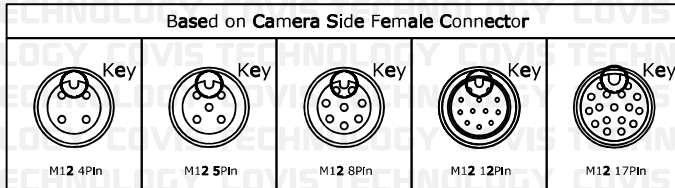


Camera Connector
Straight type



UNIT	mm	DWG.	CYS	ITEM	WATER PROOF CONNECTOR
DATE	2024.05.27	APPROVAL		PART NO.	M12IO-*_*M-*_***R(N)