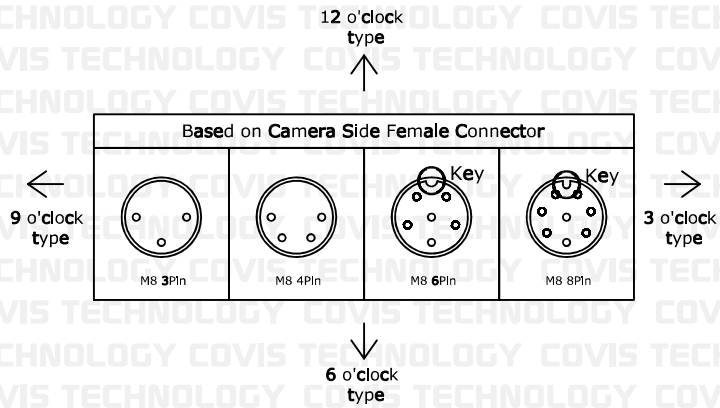
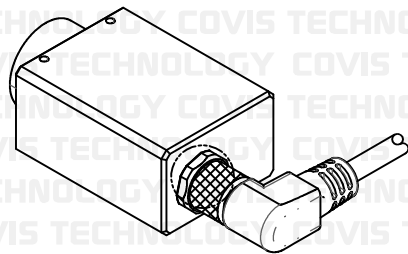


# Angle Type

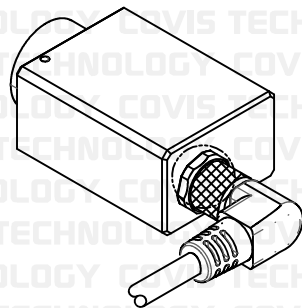
P1



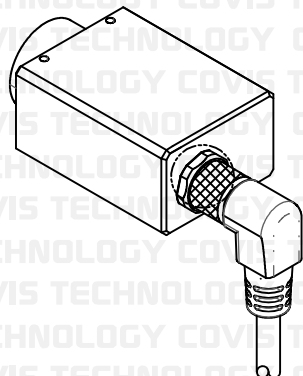
Camera Connector  
3 o'clock type



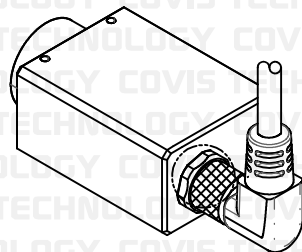
Camera Connector  
9 o'clock type



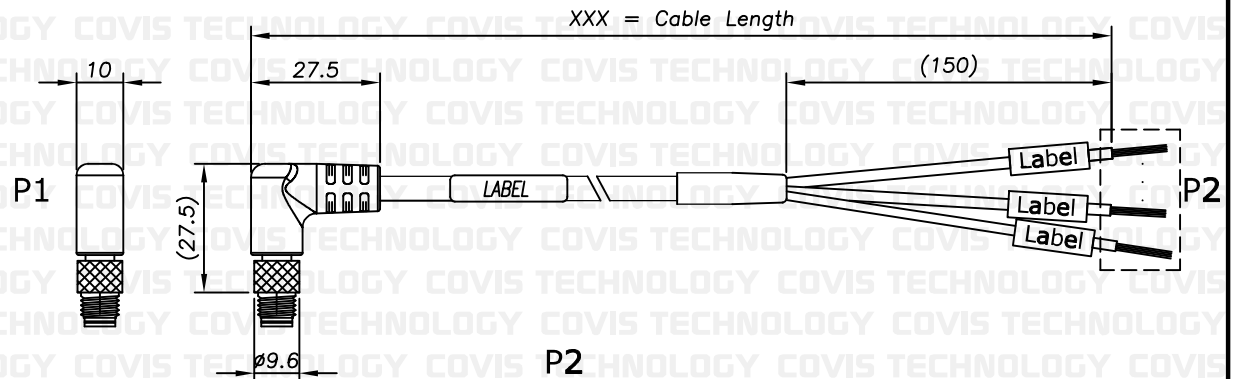
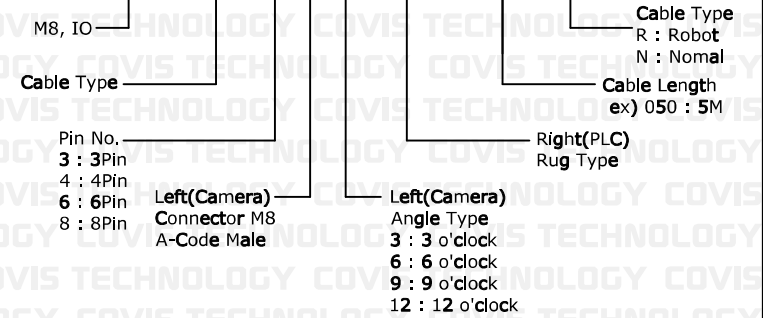
Camera Connector  
6 o'clock type



Camera Connector  
12 o'clock type



M8IO-□-□M□-□-□□□□



P2

***	***	***
***	***	
Rug Type		

UNIT	mm	DWG.	CYS	ITEM	WATER PROOF CONNECTOR
DATE	2024.05.27	APPROVAL		PART NO.	M8IO-***M*-**-***R(N)