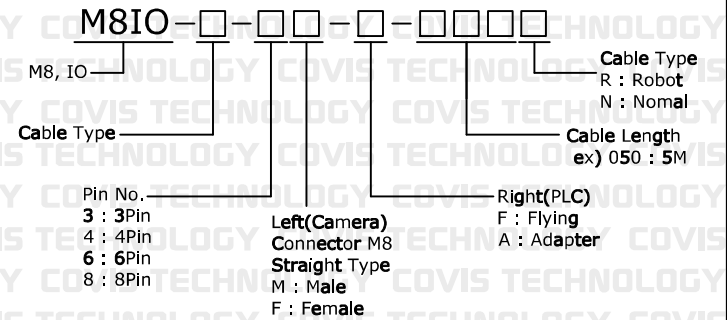
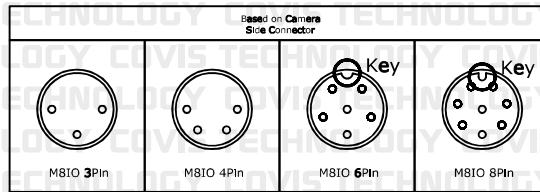
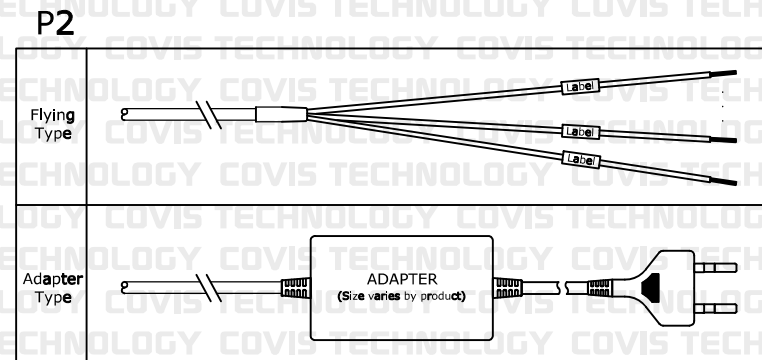
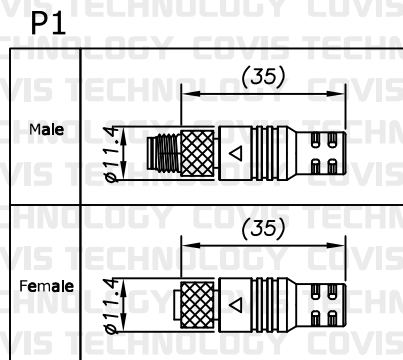
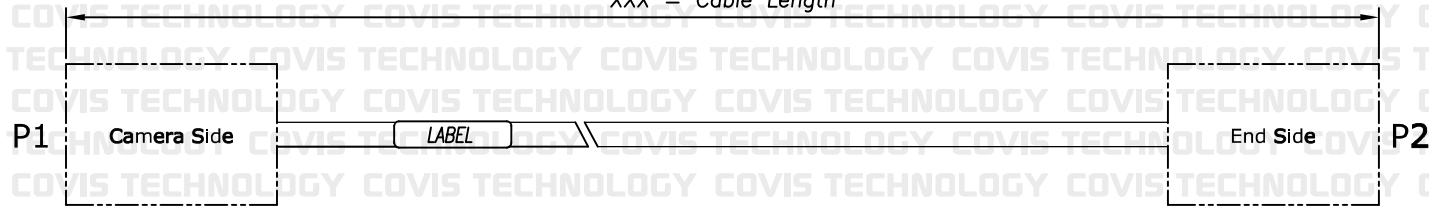


Camera Connector
Straight type



XXX = Cable Length



UNIT	mm	DWG.	CYS	ITEM	POWER CABLE
DATE	2024.05.22	APPROVAL		PART NO.	M8IO-*.***-*.***R(N)