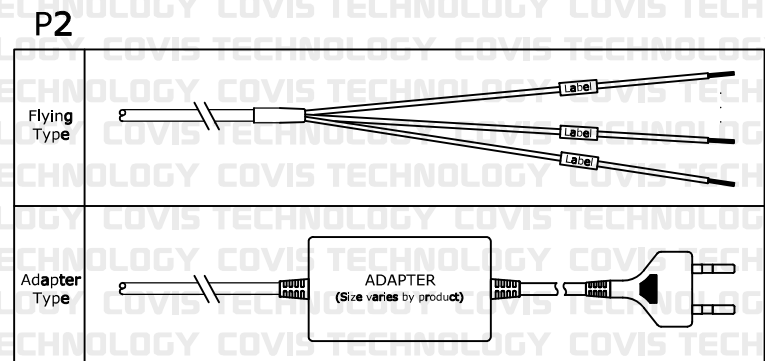
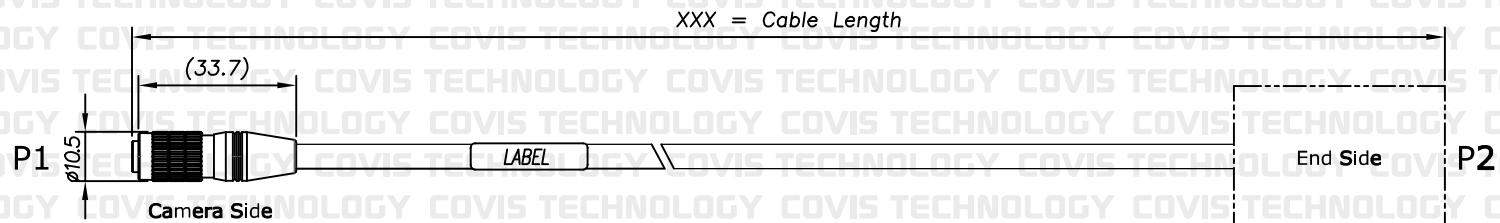
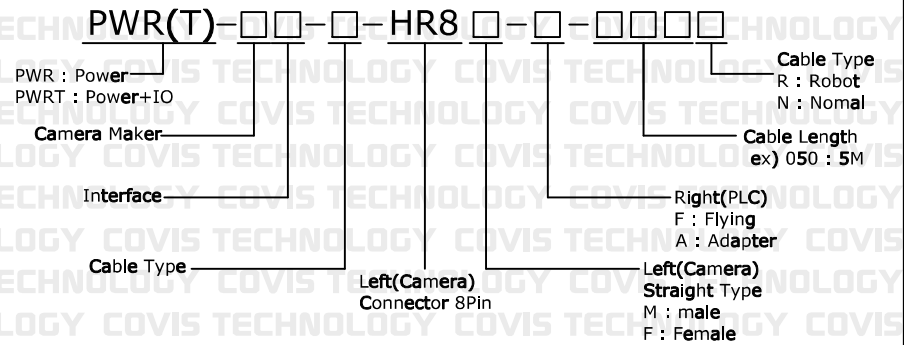


Camera Connector
Straight type



UNIT	mm	DWG.	CYS	ITEM	POWER CABLE
DATE	2024.05.22	APPROVAL		PART NO.	PWR(T)-**-*-HR8*-*-***R(N)