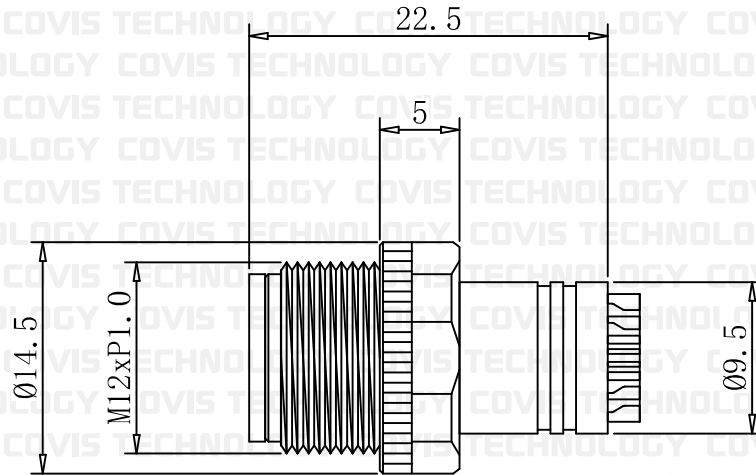
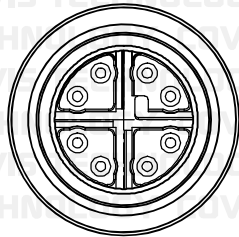


M12 X-Code Male Connector



X-Code 8Pin



UNIT	mm	DWG.	CYS	ITEM	WATER PROOF CONNECTOR
DATE	2024.08.16	APPROVAL		PART NO.	M12 X-Code Male Connector (Cable Type - Molding)