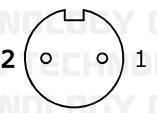
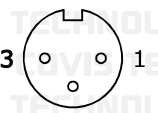
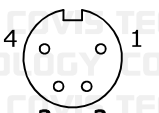
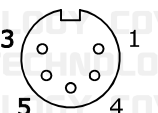
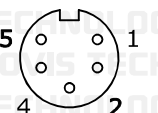
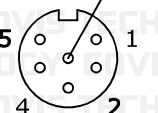
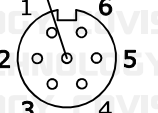
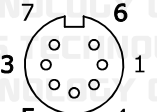
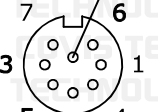

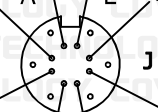
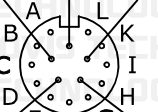
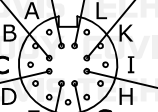
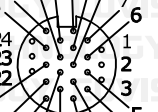
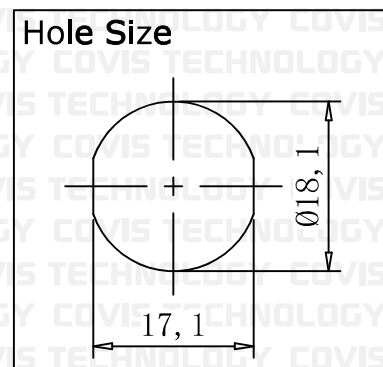
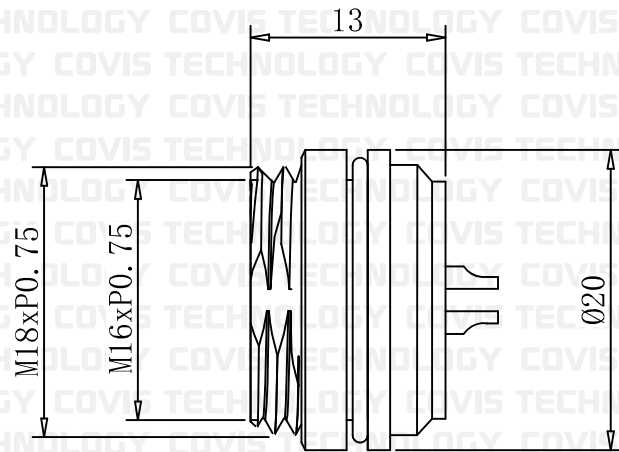
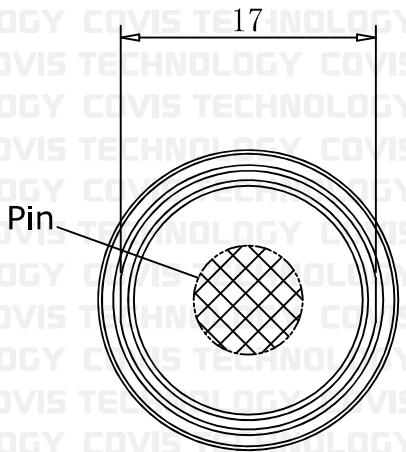



M16 Female Connector

Pin

 2Pin	 3Pin(DIN)	 4Pin	 5Pin	 5Pin(Stereo)	 6Pin(DIN)	 7Pin
 7Pin(DIN)	 8(DIN)	 12Pin	 14Pin	 16Pin	 19Pin	 24Pin



UNIT	mm	DWG.	CYS	ITEM	WATER PROOF CONNECTOR
DATE	2024.08.16	APPROVAL		PART NO.	
 COVIS Technology Co., Ltd				M16 Female Connector (Mount Type - Front Solder)	