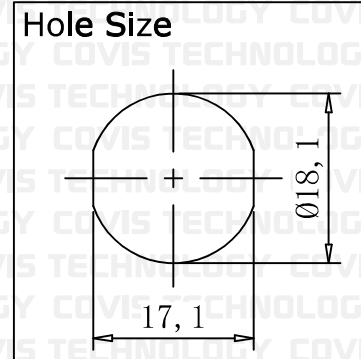
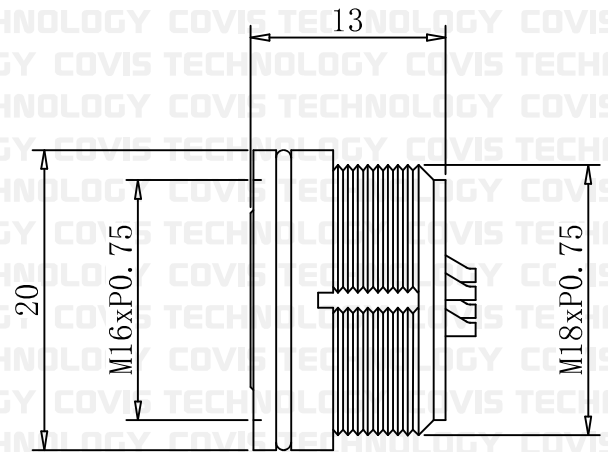
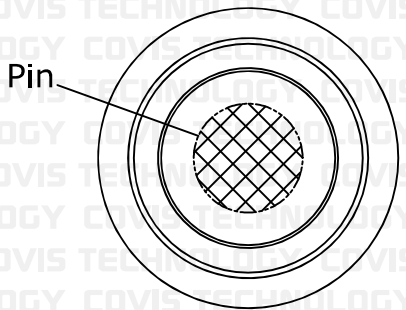
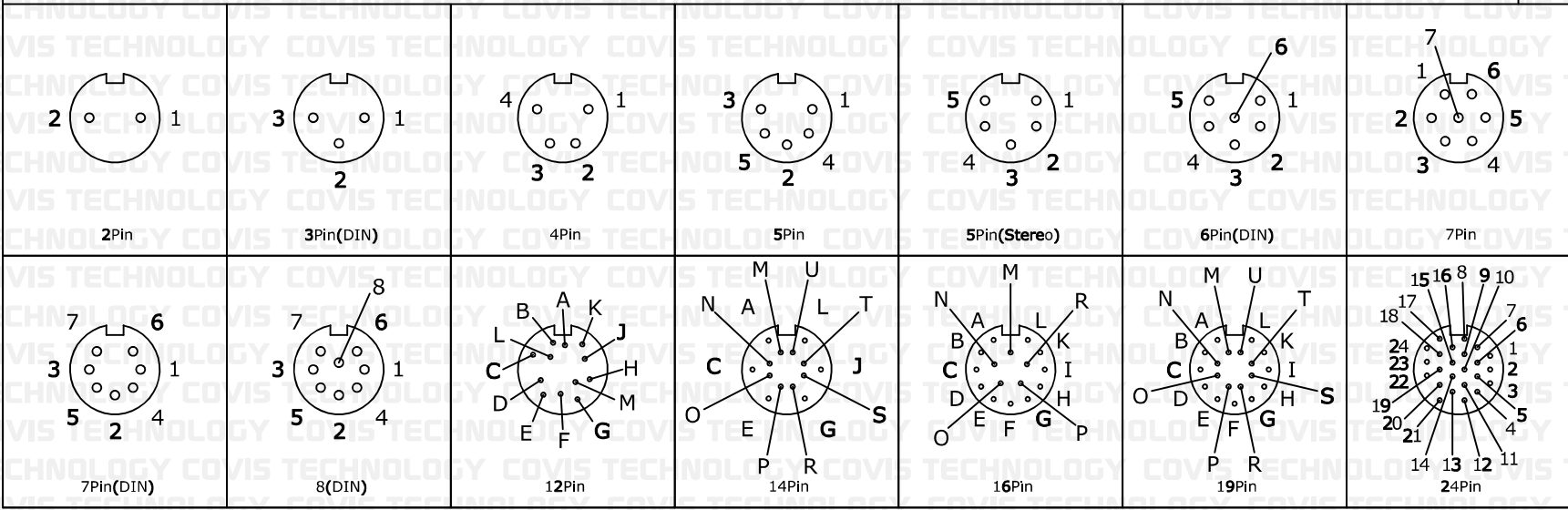


M16 Female Connector

Pin



UNIT	mm	DWG.	CYS	ITEM	WATER PROOF CONNECTOR
DATE	2024.08.16	APPROVAL		PART NO.	
COVIS Technology Co., Ltd				M16 Female Connector (Mount Type - Rear Solder)	