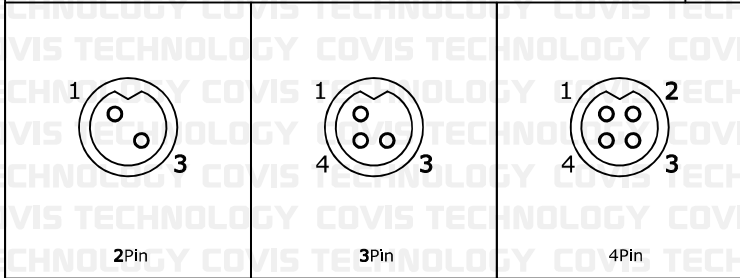
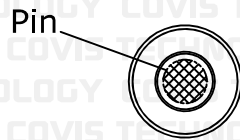
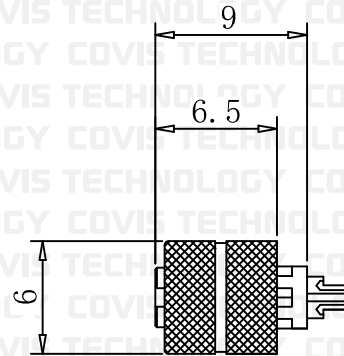
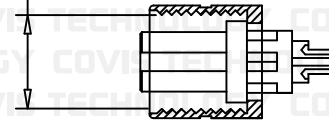


M5 Female Connector

Pin



M5xP0.5



UNIT	mm	DWG.	CYS	ITEM	WATER PROOF CONNECTOR
DATE	2024.08.16	APPROVAL		PART NO.	M5 Female Connector (Cable Type - Molding)