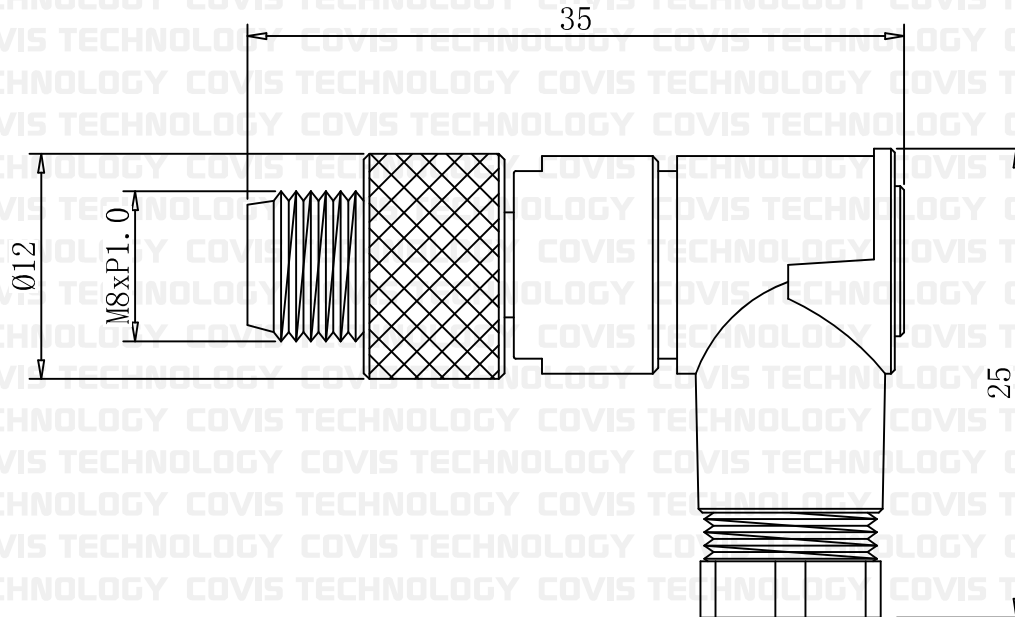
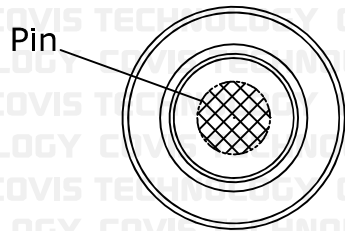
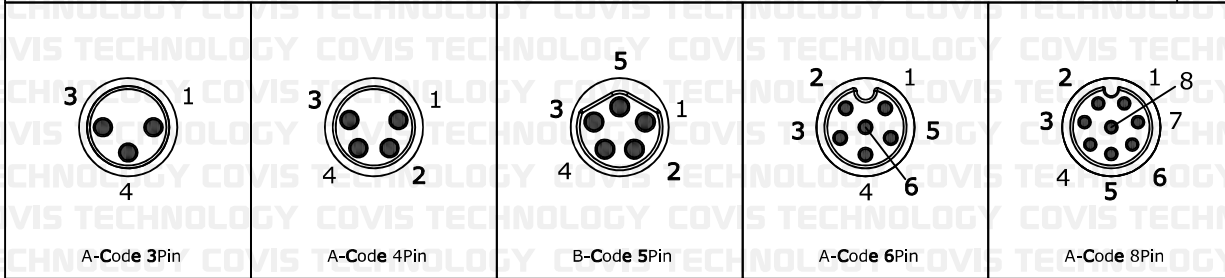


M8 Male Connector

Pin



UNIT	mm	DWG.	CYS	ITEM	WATER PROOF CONNECTOR
DATE	2024.08.16	APPROVAL		PART NO.	M8 Male Connector (Cable Type - Angle Assembly)