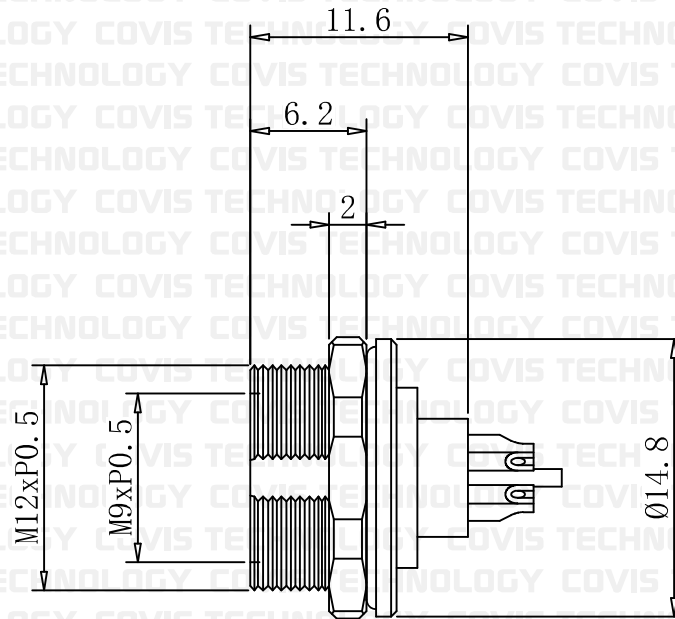
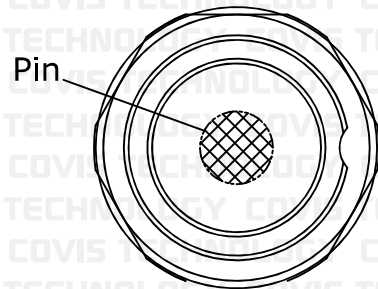
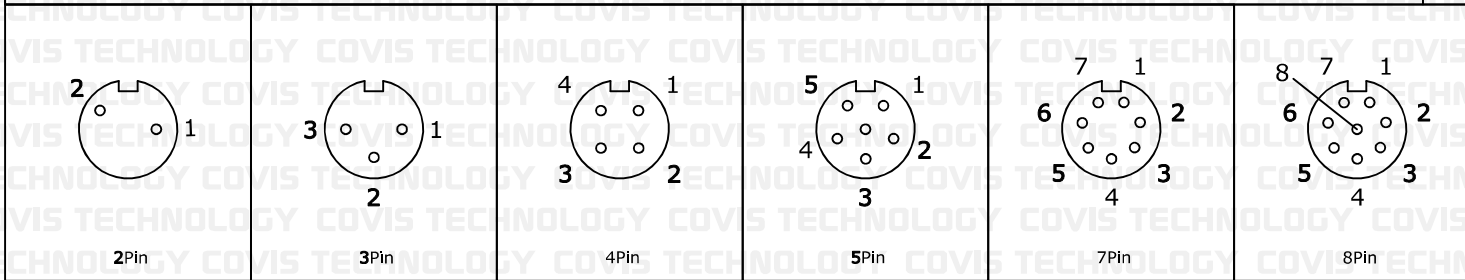
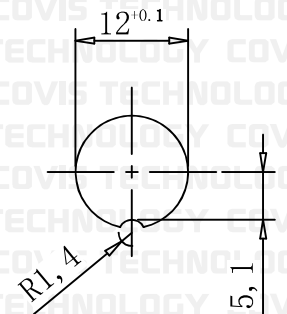


M9 Female Connector

Pin



Hole Size



UNIT	mm	DWG.	CYS	ITEM	WATER PROOF CONNECTOR
DATE	2024.08.16	APPROVAL		PART NO.	M9 Female Connector (Mount Type - Front Solder)